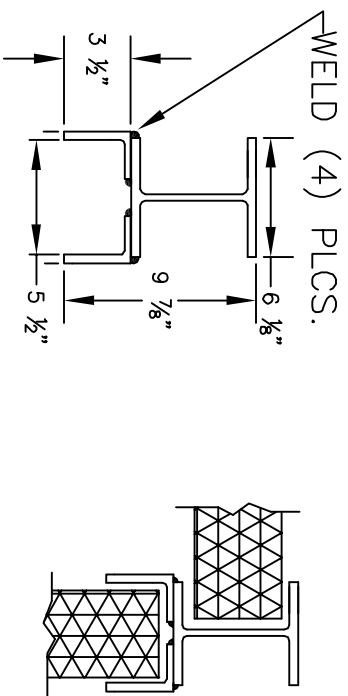
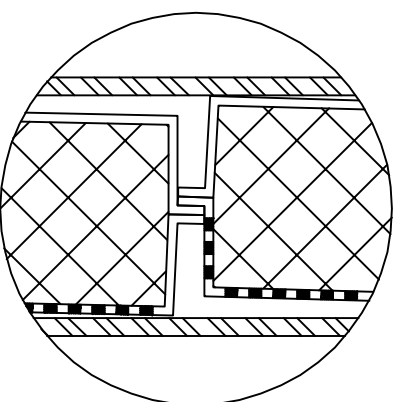


W 6X25 POST

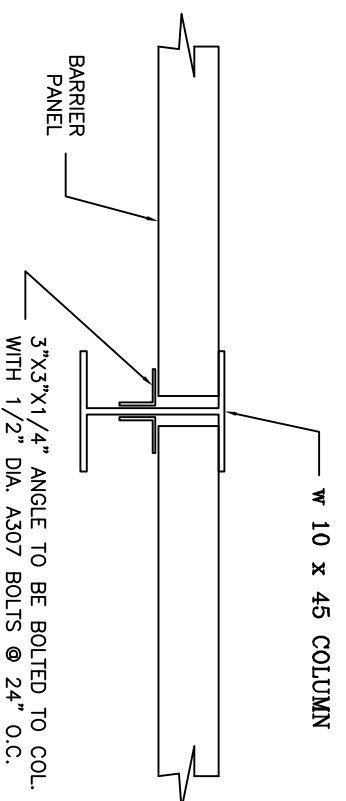


WELD (4) PLCS.

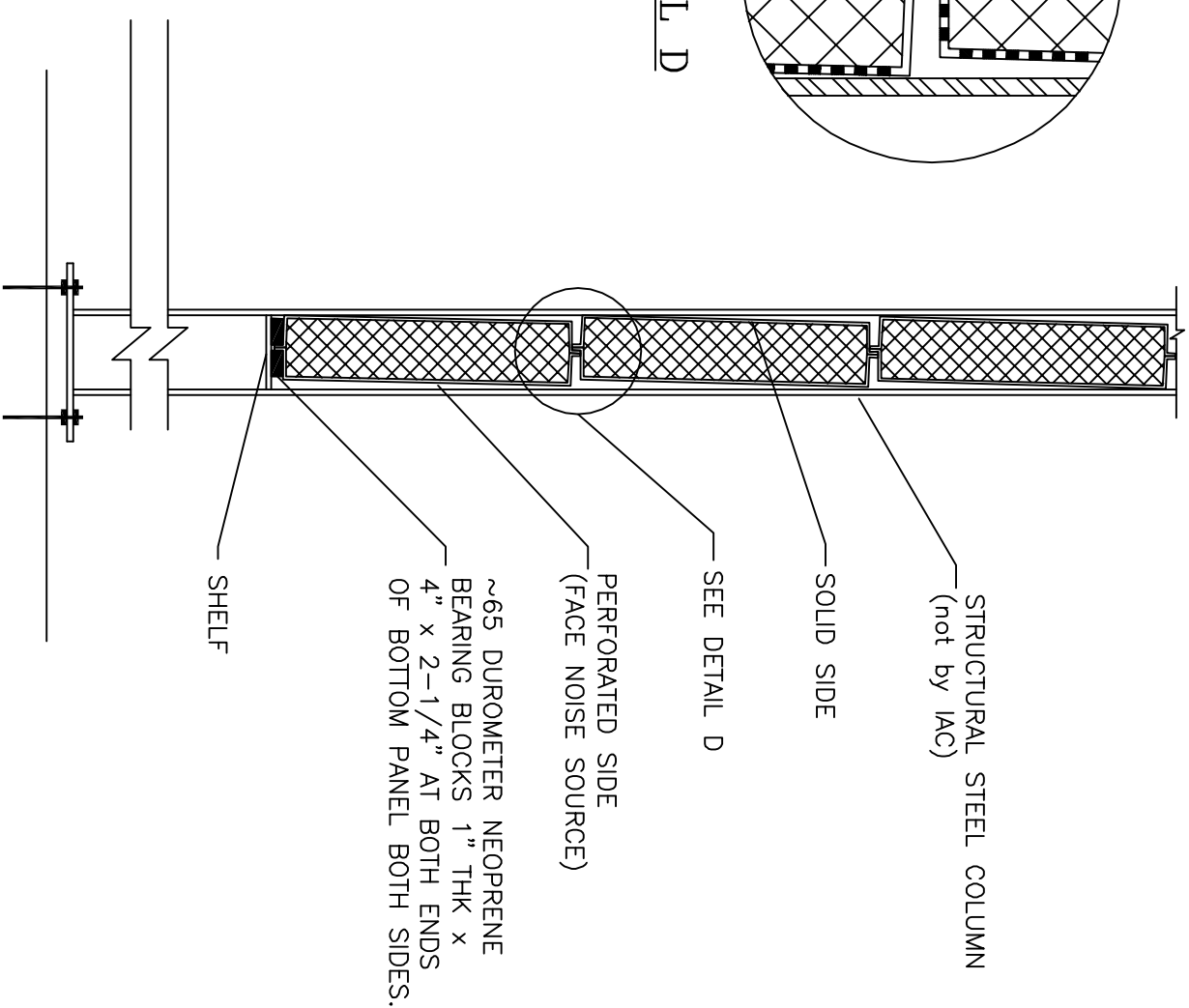
W 6X25 CORNER POST
WITH ATTACHED
2 1/2" X 3 1/2" X 3/8" THK. ANGLES



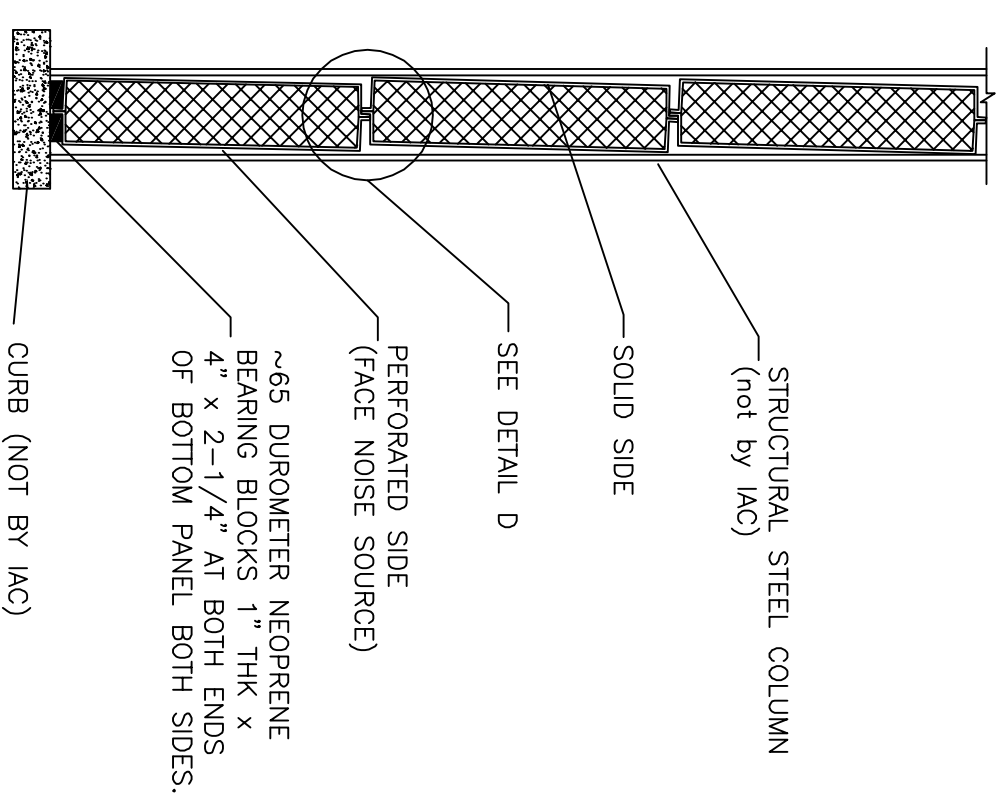
DETAIL D



OPTION IF LARGER COLUMNS ARE REQUIRED



HORIZONTAL DETAILS



HORIZONTAL DETAILS

THIS DRAWING AND THE ILLUSTRATED DESIGN ARE THE EXCLUSIVE PROPERTY OF INDUSTRIAL ACOUSTICS COMPANY. NO REUSE, REPRODUCTION, OR MODIFICATION IS PERMITTED WITHOUT WRITTEN PERMISSION FROM INDUSTRIAL ACOUSTICS COMPANY. ANY VIOLATION WILL BE PROSECUTED TO THE FULL EXTENT OF THE LAW.

ISSUE	DATE	BY	DESCRIPTION OF ISSUE	CHK.	APVD.

DESCRIPTION	PROJECT
BARRIER PANELS	
INDUSTRIAL ACOUSTICS COMPANY 1160 Commerce Avenue • Bronx, NY 10462	JOB No. DRAWING No. ISSUE SCALE